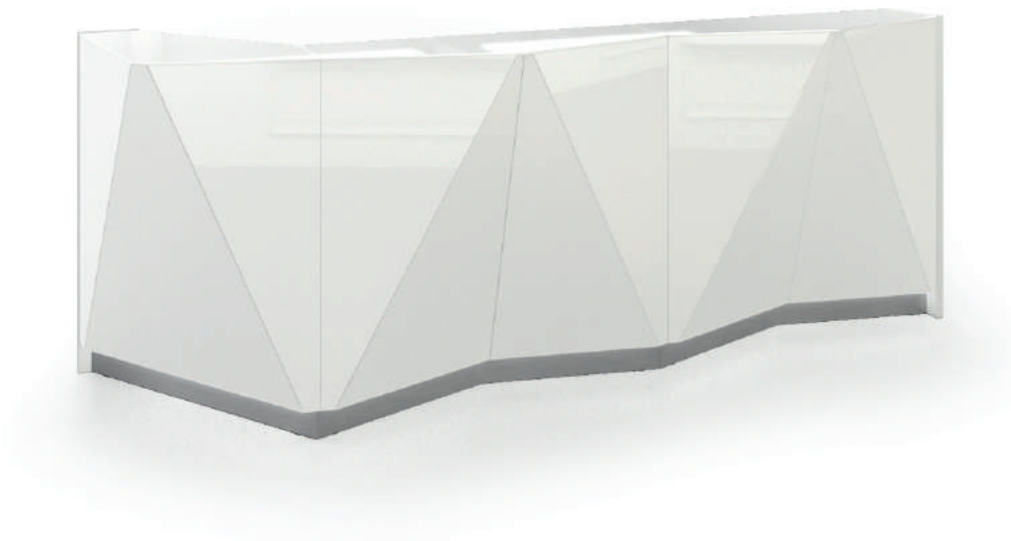


Alpa technical specification



.mdd

MDD has a leading position among manufacturers of office furniture with many awards that prove quality and continuously increase demand for its products.

The realities of today`s market require constant quality improvement at all levels of modern organization. This applies in particular to customer service, marketing, quality of products and also to quality of processes within the company. Partnership relations among employees and with business partners form a base of economic growth and success of the company.

Constant investments in innovative machinery park, optimization of management systems and an expansion of production halls allow to minimize the lead times for the product of the highest quality.

More than twenty years of experience in office furniture industry come with reference from a long list of companies and institutions to show their appreciation for an efficient and comprehensive service.

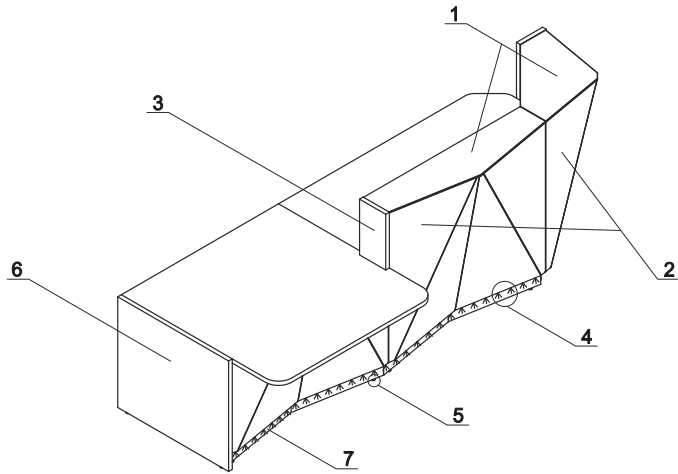
MDD is highly aware of the environment.

Being located in the forest region with lake by its side, MDD takes the nature seriously and invests constantly in a modern and energy-efficient solutions to preserve the local life. Company puts emphasis on waste segregation and recycling. MDD has been awarded for the exceptional care and involvement in waste disposal. All materials used are environmentally friendly and enjoy a high 95 % rate of being recycled.

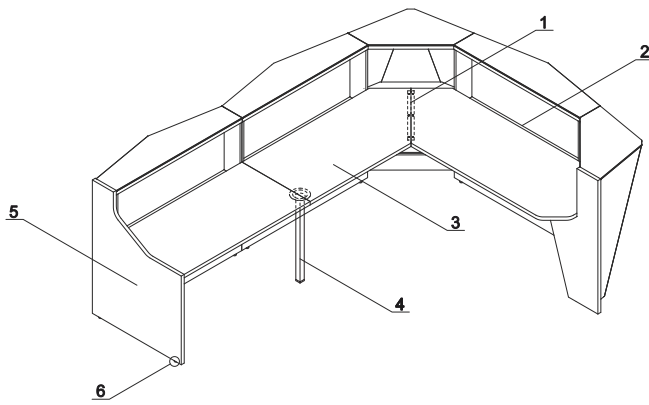
REACH



Alpa



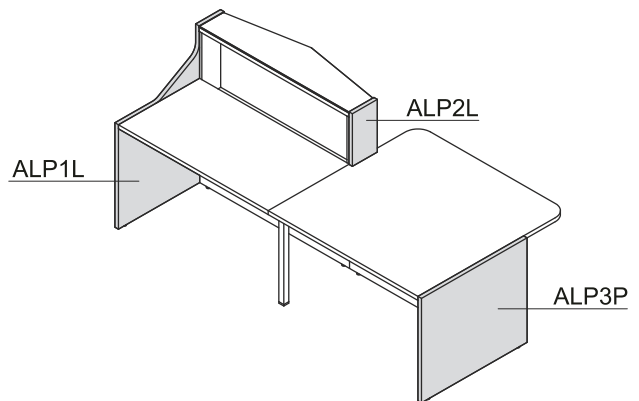
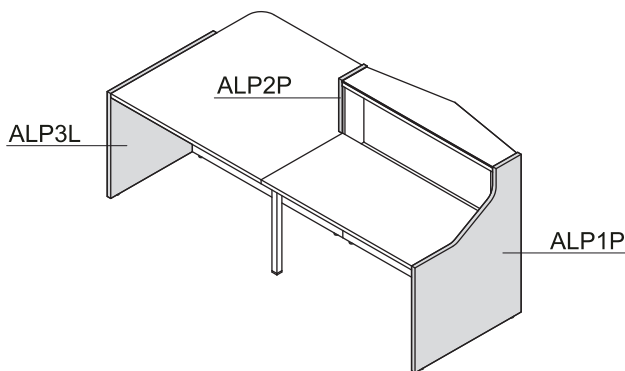
- 1. Top - MFC 28mm, tempered glass 8mm
- 2. Front - MFC 12mm + Glass LACOBEL 4mm
- 3. Side panel linking low and high fronts - MFC 28mm, PVC edge
- 4. LED illumination - at the full length of the reception desk, cold white color (verging on the blue shade)
- 5. Leveling - 5mm range
- 6. Low side panel - MFC 28mm, PVC edge
- 7. Kick plate - HPL - brushed aluminum



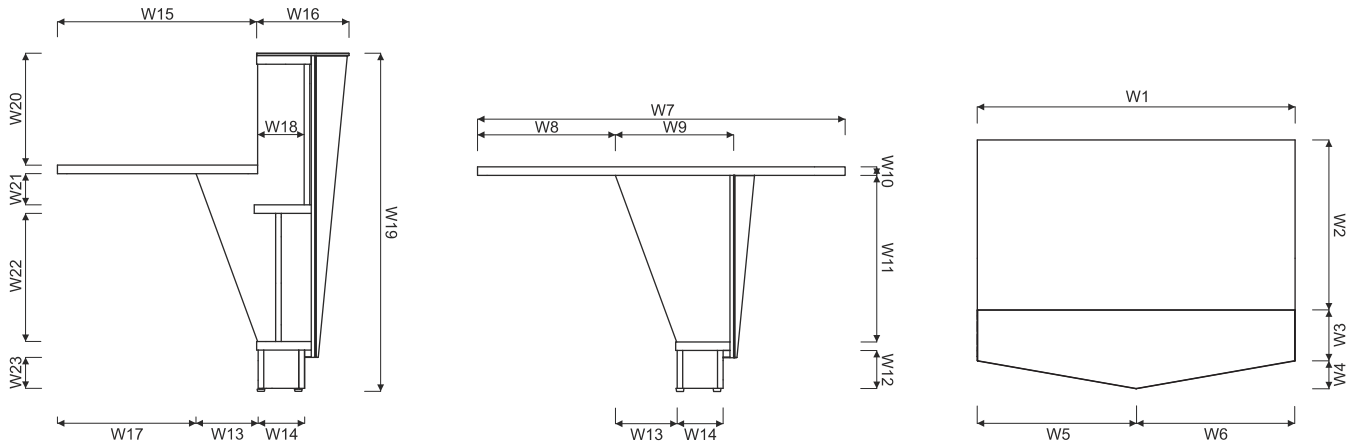
- 1. Fixing flat bar
- 2. Monitor shelf - MFC 28mm
- 3. Worktop - MFC 28mm, PVC edge
- 4. Supporting leg - NG41 - powder painted steel, required for connecting the tops
- 5. High side panel - MFC 28mm, PVC edge
- 6. Leveling - 5mm range

www.mdd.eu

Ending elements application



Dimensions



W1 - 1199mm | W2 - 650mm | W3 - 194mm | W4 - 106mm | W5 - 608mm | W6 - 608mm | W7 - 1200mm | W8 - 448mm | W9 - 353mm | W10 - 28mm |
 W11 - 549mm | W12 - 125mm | W13 - 199mm | W14 - 150mm | W15 - 650mm | W16 - 300mm | W17 - 449mm | W18 - 151mm | W19 - 1106mm |
 W20 - 366mm | W21 - 102mm | W22 - 424mm | W23 - 125mm

- Made of MFC 18mm and 28mm. Hygienic class E1, density of 650–690 kg/m³. Hygienic class, density of 650–690 kg/m³.

Characteristics of the board:

- high resistance to abrasion and scratches
- resistance to chemical factors
- resistance to temperature

- All edges covered with impact-proof PVC 2 mm.

- Top made of MFC 28mm, covered with tempered glass 8 mm.

- Front made of MFC 12 mm, covered with LACOBEL glass 4 mm. Colours: white, black and silver.

- Sides panels made of MFC 28 mm, edges covered with PVC.

- Side panel for connecting low and high element made of MFC 28 mm.

- LED lighting fixed in the lower part of the front, colour temperature: white cool.

- Base covered externally with HPL, colour: brushed aluminium

- Worktop made of MFC 28 mm.

- Supporting leg – required where tops are connected, square, made of metal profile 40x40 mm, powder coated.

- Corner top – flat bar (E34A-10-1000-0000-00411) fixed where tops are connected.

- Height adjustment range of 5 mm.

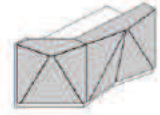
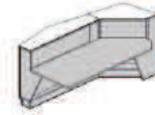
Front, counter top, body, supporting leg where worktops connect NG4¹



67 White pastel



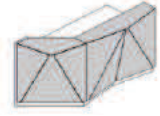
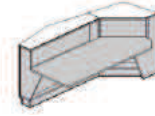
117 White



08 Black



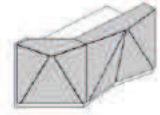
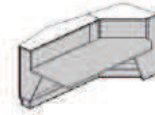
116 Black



26 Aluminum
satinato



124 Silver



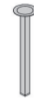
M009 Aluminum
semi-matte

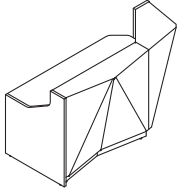
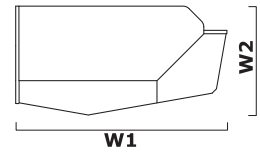
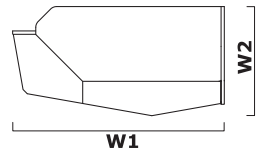


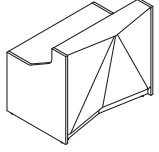
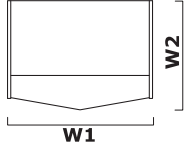
M015 White
semi-matte

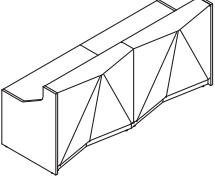
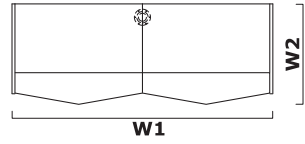


M115 Black
semi-matte



		A 					B 			
Référence		Dimensions					kg m3 pcs	Éléments de composition		
A	B	W1	W2	D1	D2	H				
ALP04L	ALP04P	1835	946	2608	838	1100	103 kg 1.047 m3 7 pcs	A - ALP18L+ALP1P B - ALP1L+ALP18P		

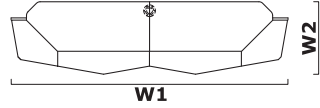
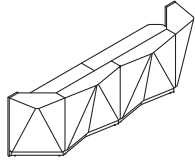
								
Référence		Dimensions					kg m3 pcs	Éléments de composition
W1	W2	D1	D2	H				
ALP05		1256	946	2608	838	1100	76.5 kg 0.782 m3 5 pcs	ALP1L+ALP12+ALP1P

								
Référence		Dimensions					kg m3 pcs	Éléments de composition
W1	W2	D1	D2	H				
ALP06		2456	946	2608	838	1100	129 kg 1.498 m3 9 pcs	ALP1L+2xALP12+ALP1P+NG41

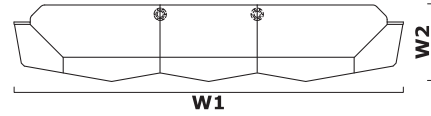
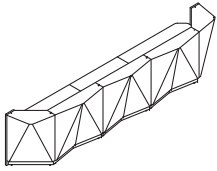
Référence		Dimensions					kg m3 pcs	Éléments de composition
		W1	W2	D1	D2	H		
ALP07		3656	946	2608	838	1100	181.5 kg 2.214 m3 13 pcs	ALP1L+3xALP12+ALP1P+2xNG41

Référence		Dimensions					kg m3 pcs	Éléments de composition
		W1	W2	D1	D2	H		
ALP21L	ALP21P	2456	1200	1228	950	1100	136.5 kg 1.273 m3 10 pcs	A - ALP3L+ALP11+ALP2P+ALP12+ALP1P+NG41 B - ALP1L+ALP12+ALP2L+ALP11+ALP3P+NG41

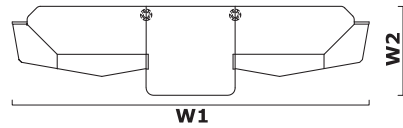
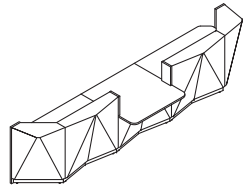
Référence		Dimensions					kg m3 pcs	Éléments de composition
		W1	W2	D1	D2	H		
ALP22L	ALP22P	3034	1200	1806	950	1100	163 kg 1.538 m3 12 pcs	A - ALP3L+ALP11+ALP2P+ALP18P+NG41 B - ALP18L+ALP2L+ALP11+ALP3P+NG41



Référence		Dimensions					kg m3 pcs	Éléments de composition
		W1	W2	D1	D2	H		
ALP15		3613	946	1806	950	1100	182 kg 2.029 m3 13 pcs	ALP18L+ALP18P+NG41



Référence		Dimensions					kg m3 pcs	Éléments de composition
		W1	W2	D1	D2	H		
ALP16		4813	946	1806	950	1100	234.5 kg 2.745 m3 17 pcs	ALP18L+ALP12+ALP18P+2xNG41

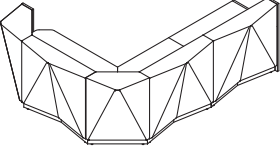
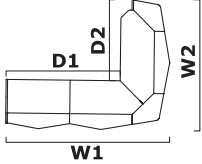
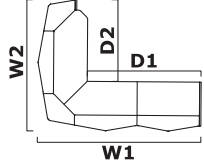


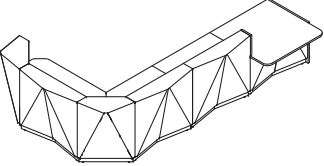
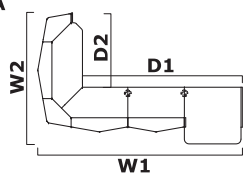
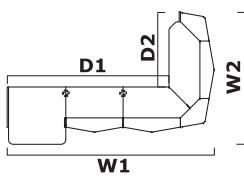
Référence		Dimensions					kg m3 pcs	Éléments de composition
		W1	W2	D1	D2	H		
ALP25		4813	1200	1806	950	1100	244.5 kg 2.534 m3 19 pcs	ALP18L+ALP2L+ALP11+ALP2P+ALP18P+2xNG41

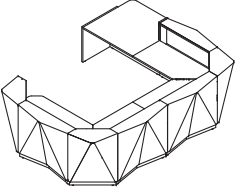
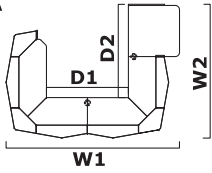
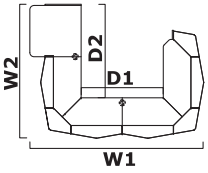
Référence		Dimensions					kg m3 pcs	Éléments de composition
		W1	W2	D1	D2	H		
ALP14		2514	2514	1568	1568	1100	210.5 kg 2.307 m3 14 pcs	

Référence		Dimensions					kg m3 pcs	Éléments de composition
		W1	W2	D1	D2	H		
ALP24L	ALP24P	3967	3135	2768	950	1100	299.5 kg 3.248 m3 21 pcs	A - ALP3L+ALP11+ALP2P+ALP90+ALP18P+2xNG41 B - ALP18L+ALP90+ALP2L+ALP11+ALP3P+2xNG41

Référence		Dimensions					kg m3 pcs	Éléments de composition
		W1	W2	D1	D2	H		
ALP23L	ALP23P	3135	2767	2189	1568	1100	245.5 kg 2.532 m3 17 pcs	A - ALP3L+ALP11+ALP2P+ALP19P+NG41 B - ALP19L+ALP2L+ALP11+ALP3P+NG41

		A					B				
											
Référence		Dimensions					kg m3 pcs	Éléments de composition			
A	B	W1	W2	D1	D2	H					
ALP17L	ALP17P	3135	2514	2189	1568	1100	238 kg 2.757 m3 16 pcs	A - ALP1P+ALP12+ALP19L+NG41 B - ALP19P+ALP12+ALP1L+NG41			

		A					B				
											
Référence		Dimensions					kg m3 pcs	Éléments de composition			
A	B	W1	W2	D1	D2	H					
ALP26L	ALP26P	4335	2767	3390	1568	1100	298 kg 3.248 m3 21 pcs	A - ALP3L+ALP11+ALP2P+ALP12+ALP19P+2xNG41 B - ALP19L+ALP12+ALP2L+ALP11+ALP3P+2xNG41			

		A					B				
											
Référence		Dimensions					kg m3 pcs	Éléments de composition			
A	B	W1	W2	D1	D2	H					
ALP27L	ALP27P	4069	3135	1922	2189	1100	382 kg 4.242 m3 26 pcs	A - ALP3L+ALP11+ALP2P+ALP90+ALP19P+2xNG41 B - ALP19L+ALP90+ALP2L+ALP11+ALP3P+2xNG41			